

**CORBY**

TOASTER

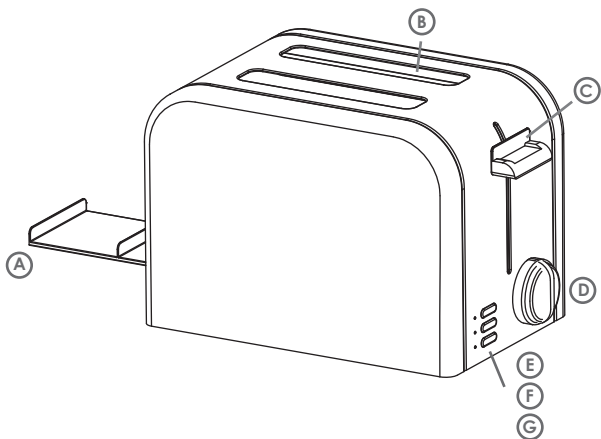
**This manual is for the following models:**

Chelmsford

THT-8016A

[www.corbyofwindsor.com](http://www.corbyofwindsor.com)[www.firedupcorporation.com/manual](http://www.firedupcorporation.com/manual)

## FEATURES



## IDENTIFICATION

- |                 |                   |                    |
|-----------------|-------------------|--------------------|
| (A) Crumb Tray  | (D) Heat Dial     |                    |
| (B) Bread Slots | (E) Stop Button   |                    |
| (C) Toast Lever | (F) Reheat Button | (G) Defrost Button |

## These instructions must be read before use

These instructions are for your safety. Please read through them thoroughly before use and retain for future reference. Failure to follow them could cause injury and/or property damage.

These instructions are also available on our website.

This appliance can be used by children aged from 8 years and above and persons with reduced physical, sensory or mental capabilities or lack of experience and knowledge if they have been given supervision or instruction concerning use of the appliance in a safe way and if they understand the hazards involved.

## CONTENTS

### SECTION 01

Identification	02
Important	03
Safety Instructions	04-05

### SECTION 02

Before Use	06
Use	06
Functions	06
Maintenance and Cleaning	06

### SECTION 03

Guarantee	07
Specification	07
Contacts	08

# IMPORTANT SAFETY INSTRUCTIONS

## CAUTIONS - DO'S

---

- Check the appliance and the supply cord for damage regularly.

---
- Check your mains supply is the same as that indicated on the product before connecting.

---
- Ensure that the appliance is used on a firm, flat surface.

---
- Allow to cool before putting on or taking off any parts.

---
- When cleaning or storing, always pull out the plug from the socket - do not yank the cord - and allow the appliance to cool completely beforehand.

---

## CAUTIONS - DON'TS

---

- Never leave the appliance unattended whilst in use.

---

- The appliance must never be immersed in water or any other liquid.

---

- Never use the appliance outdoors.

---

- Do not use the appliance for any other purpose than for which it is intended.

---

- Never move the appliance whilst it is in use.

---

- Never allow the supply cord to overhang the edge of a surface or come into contact with any hot surface.

---

- Never use the appliance if the supply cord or plug is damaged or if the appliance has been damaged in any manner.

---

- Do not use accessory attachments not recommended by the appliance manufacturer, as doing so may cause injury.

---

- Children must not play with the appliance. The cord must be kept out of reach of children aged less than 8 years.

---

- Do not attempt to make repairs to the appliance. If the supply cord becomes damaged, it must be replaced by the manufacturer or a similarly qualified person.

---

- **WARNING** - To avoid injury, refrain from touching hot surfaces.

---

- **WARNING** - Do not use the toaster near combustible materials.

---

- **WARNING** - Do not use a knife or other utensil to remove toast from the toaster, or to clean the toaster.

---

- **WARNING** - Children must not carry out cleaning or maintenance unless older than 8 and supervised.

## BEFORE USE

1. Remove ALL packaging.
2. Ensure the supply voltage is the same as that indicated on the product
3. Note - At first use of the toaster, fumes may be emitted. This is normal and will cease after a few minutes.

## USE

- Ensure the toaster is switched on at the wall outlet.
- Insert bread into one or both slot/s.
- Use the heat dial (**D**) to select the desired level of toasting.
- Push down the toast lever (**C**) to begin toasting.
- Select presets as required using the buttons on the front of the toaster.

## FUNCTIONS

The toaster has presets that can be selected by pressing the corresponding button after the toast lever (**C**) has been pushed down. Once selected, the mode cannot be cancelled without stopping toasting.

- The 'Stop' button (**E**) can be used to stop toasting before the current cycle has completed.
- The 'Reheat' button (**F**) can be used to heat up toast.
- The 'Defrost' button (**G**) can be used to thaw bread stored in a freezer, before toasting.

Buttons (**F**) and (**G**) have corresponding LEDs that will illuminate to indicate the current selection. Button (**E**) has a corresponding LED that will illuminate to indicate that toasting is in progress.

## MAINTENANCE & CLEANING

1. Unplug the power plug and allow the toaster to cool down before cleaning.
2. Wipe/clean the exterior of the toaster and cord with a soft damp cloth. Do not use strong or abrasive cleaners, as they may damage the finish.
3. Slide the crumb tray out and use a small brush or cloth to brush the crumbs away. Once clean, slide the crumb tray back and ensure it locks into place.
4. Do not attempt to clean the inside of the toaster or allow liquid to enter, as doing so may damage the heating elements.

## CONFORMITY WITH DIRECTIVES

Conforms with relevant European Directives.



## ENVIRONMENTAL PROTECTION

For electrical products sold within the European Community.

This appliance is labelled in accordance with European Directive 2002/96/EC concerning Waste Electrical and Electronic Equipment (WEEE). Waste electrical products should not be disposed of with household waste. Please recycle where facilities exist. Check with your Local Authority or retailer for recycling advice.

## SPECIFICATION

Model	-	THT-8016A
Input AC Rating	-	220-240V ~ 50/60Hz
Rated power	-	750-850W

## GUARANTEE

For your convenience, you are not required to complete a form and return it to us in order to validate your guarantee. However, please ensure that you retain your receipt which will act as both proof of purchase and a guarantee validation document. **We recommend that you attach your receipt to this documentation.**

Your product carries a minimum 12 month guarantee from the date that the original purchaser receives it. If your product fails to operate to its specification due to faulty workmanship or materials during the guarantee period, we will either repair or replace the product. We will use our discretion to determine whether to offer a repair or provide a replacement. The product will not be covered by the guarantee if it has been misused, transformed, modified or altered in any way.

If your product fails within the guarantee period please ensure that you have all necessary documentation available including proof of purchase (receipt or invoice with serial number, location and date of purchase) in addition to all original undamaged packaging and leaflets etc. It is strongly recommended that you inspect your product carefully before it is used or installed. For full details of your product you should refer to the instruction manual which accompanies the product. You are strongly advised to read this manual carefully in its entirety and to retain it for future reference.

This product guarantee does not affect your statutory rights.



[www.firedupcorporation.com](http://www.firedupcorporation.com)

Fired Up Corporation Ltd  
Fired Up Buildings  
HD1 3LF, UK

Fired Up Corporation  
(Ireland) Ltd  
71, D02 P593, Dublin